

企业简介

Company Introduction

BPE designs and provides high quality bulk process system, bulk equipment and engineering service.

Through close cooperation with established global suppliers and buyer, BPE has the ability to undertake the full responsibility in designing and supplying of system and equipment for conveying, mixing, batching, feeding, dumping, packaging and other processes of powder and bulk material.

We are special to produce the whole system equipment of powder and grain device, HQ in HongKong, and we also have two factory at shanghai in china. The company is increasingly recognized today as a world-class leader in its fields of industrial specialization and production.

拜肯机械设备有限公司是一家专业提供粉粒物料处理设备和设计、以及工程服务为一体的装备制造及服务型的整套系统设备的公司。

公司一直致力于和全球买家及供应商保持紧密的合作, 拜肯有能力和责任在输送, 混料, 配料, 装料, 卸料, 包装, 及其他粉粒物料处理方面提供装备, 系统和设计。

我们是一家专业致力于生产粉粒物料处理整套系统设备的生产厂商, 总部设在香港, 我们在上海有两个生产工厂; 今天拜肯公司已经成为世界一流的工业专业化生产企业。

Main sectors of production include:

Pneumatic(vacuum) Conveyors (QVC, ZKS)

Screw Conveyors (Helix)

Flexible Screw Conveyors (Helix)

Tube chain conveyor

Bag Dump Station

Bulk Bag Unloaders

Pneumatic Conveying

Bag Dump Station

Diaphragm Valve (manual)

Dump machines

主要生产领域:

真空上料机 (QVC, ZKS)

螺旋输送机

柔性螺旋输送机

管链输送机

小袋倒袋站: <手动, 半自动, 全自动>

吨袋倒袋站: <带压袋装置, 带称重>

气力输送

倒袋站流化器

隔膜阀(手动)

倒桶机

BPE HongKong: started in 1993

拜肯香港成立于1993年

BPE Waigaoqiao shanghai: started in 2006

拜肯中国上海外高桥成立于2006年

BPE PVG factory shanghai started in 2008

拜肯中国上海机场镇工厂成立于2008年

上海拜肯机械设备有限公司

Bulk Process Equipment Co.,Ltd.

We have Professional design team.

We have strong products develop team.

We have widely sales net.

We have best engineer service team.

We have high quality products (this is important for you.) .

We have best delivery team, can let you happy do business with us.

We can give you high quality products and best services.

This why we are powerful in the business.

我们有专业的设计团队。

我们有强大的研发队伍。

我们有宽广的销售网络。

我们有最好的工程服务团队。

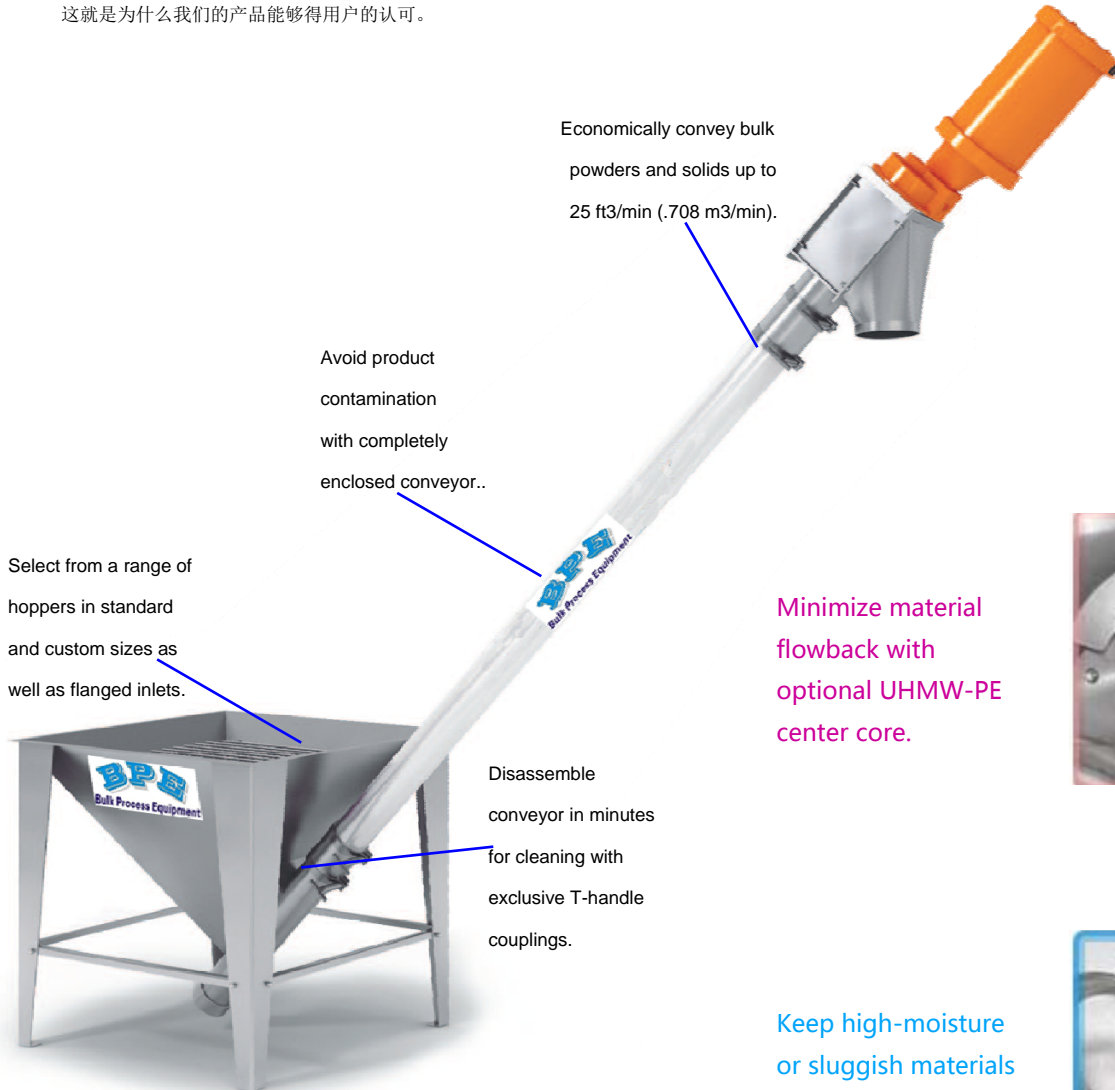
我们有高质量的产品供应, 这是对客户的承诺。



我们有优秀的物流系统，这是我们竞争力提升的表现。

我们能给客户提供最优质的产品和最贴心的服务。

这就是为什么我们的产品能够得用户的认可。



Select from a range of hoppers in standard and custom sizes as well as flanged inlets.

Economically convey bulk powders and solids up to 25 ft3/min (.708 m3/min).

Avoid product contamination with completely enclosed conveyor..

Disassemble conveyor in minutes for cleaning with exclusive T-handle couplings.

Minimize material flowback with optional UHMW-PE center core.



Keep high-moisture or sluggish materials flowing with optional ribbon agitators.



Spend less money conveying materials, too.

- **Excellent for batch, intermittent and continuous conveying** of free- and non-free-flowing bulk materials. An economical solution for conveying powders, crystals, pellets, friable material, flakes, granules and much more.
- **Simple, yet rugged construction keeps costs low, reliability high.** A helicoid screw rotates inside a fixed tube. Fewer components minimize maintenance. The conveyor's standard stainless steel construction stands up to a continuous flow of abrasive materials. (Carbon steel and polyethylene models also available.) Optional mobile base lets you use one conveyor in multiple locations.
- **Convey materials over distances up to 80 ft (24.4 m) and discharge heights up to 40 ft (12.2 m).** An optional mobile base provides a discharge height of 12 ft (3.66 m).

Fit under low ceilings. Optional rightangle drive reduces necessary headroom.



- Easy to clean. Disassemble conveyor in 5 minutes for thorough washdowns.

Flexible Screw Conveyors – wide range of solutions



The Helix flexible screw conveyor has only one moving part. That design simplicity helps to keep your costs down, but saving money doesn't mean sacrificing performance. Our multiple design options allow you to tailor your Helix conveyor to the flow rate, capacity, sanitation and durability specifications you need to move your materials safely and efficiently. Need an economical solution to your conveyance problems? Contact us to develop a conveyor to move your material for less money.

Helix™ Flexible Screw Conveyors – wide range of solutions Match your

Your easy-to-move, easy-to-clean, easy-to-service solution

Now there's a flexible screw conveyor for industries that must make constant batch changeovers or meet stringent sanitation regulations. Our patented, ergonomic design allows a single worker to safely and easily handle washdowns, auger changeouts and servicing from floor level.

- Clean easily.

No need for ladders or special tools to clean this conveyor. The electric actuator automatically lowers the auger to an easy-to-access height. Turn the exclusive T-handle cleanout cap, disassemble the conveyor and do thorough cleaning from floor level.

- Move from room to room. Fully assembled conveyor fits through standard-height doors.

- Reach discharge height up to 12 ft (3.66 m).



Flat, Bevel Edge, H/D Square, Round

BPE offers a wide range of auger styles and sizes to fit in casing diameters from 2 to 8 in (5 to 20 cm). We'll help you select the best one for your application.

- Flat Wire: works well with fine powders; provides the highest conveyor capacity
- Bevel Edge: use to transport sticky material
- Heavy-Duty Square: for heavy, abrasive material
- Round Wire: best for granular materials such as salt or sugar

Poly Component Helix Conveyors



Compliant Helix Conveyors



Your low-cost, fast-available solution

Save up to 25% when you choose the P300 Series instead of our 300 Series stainless steel models. Its FDA-approved UHMW polyethylene discharge and hopper lower the price while providing excellent material flow and durable operation.

- Convey 0.5 to 1.5 ft³/min (0.014 to 0.042 m³/min)

in a completely enclosed conveyor.

- Meet FDA regulations. Lightweight, easy-to-maintain

UHMW polyethylene resists stains and sanitizes easily.

- Access components for cleaning without using special tools. Quick disconnects make cleaning and servicing easier.

- Operate safely with the automatic power safety cut-off on the stainless steel grate and sturdy heavy-duty stainless steel frame.

- Design to your specifications. Use in conjunction with Hapman bag dump stations, dust collectors and bulk bag unloading stations. Optional mounting brackets and supports are also available.



Your dairy grade, sanitary solution

BPE is your source for flexible screw conveyors that are certified for USDA Dairy Grading applications. When you need to move bulk dairy powders or products in your facility, we can design equipment to meet all of the sanitary conditions that keep your facility food-safe and regulation compliant.

- Access internal components quickly, easily.

Quick-release tri-clover connectors let you dismantle the conveyor without tools so it's

100% open for cleaning or maintenance in a few minutes.

- Meet dairy-grade standards on all product contact surfaces. Hapman

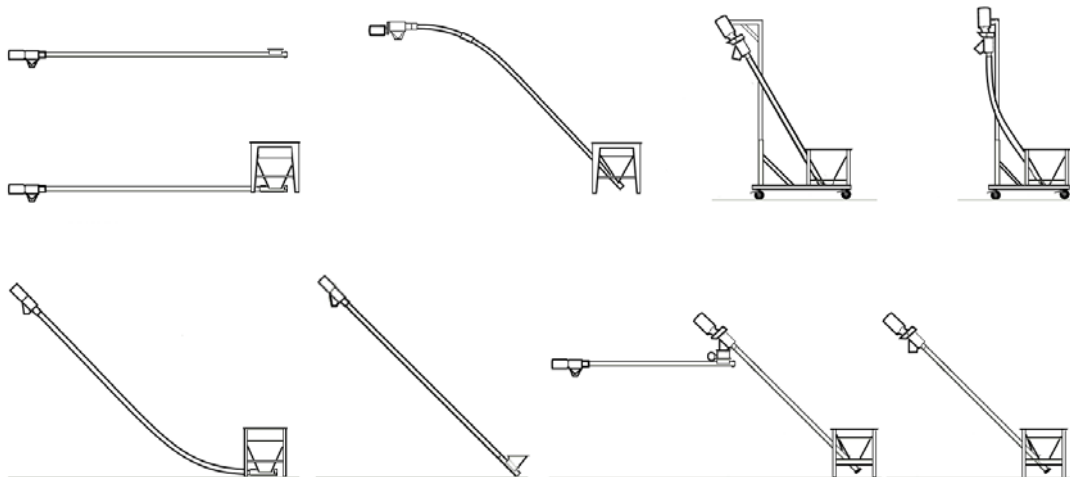
is the industry's only flexible screw conveyor manufacturer listed by the USDA for Dairy Grading applications.

- Sanitize all components to your stringent regulations.



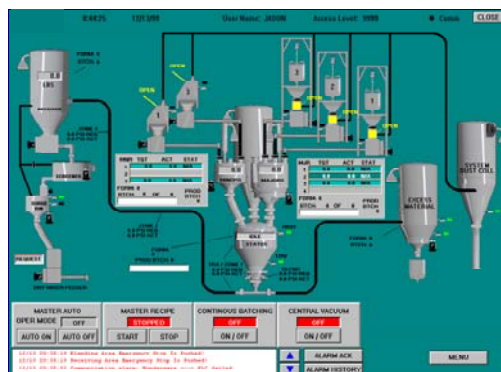
Series Model No.	250	300	400	500	600	800
Casing O.D.	2.32 in (5.872 cm)	2.96 in (7.518 cm)	4.20 in (10.668 cm)	4.70 in (11.938 cm)	6.625 in (16.827 cm)	8.625 in (21.907 cm)
Bend Radius	6 ft (1.828 m)	10 ft (3.084 m)	20 ft (6.096 m)	N/A	N/A	N/A
Capacity ¹	15-45 ft ³ /h (0.425-1.274 m ³ /h)	30-70 ft ³ /h 0.850-1.982 m ³ /h)	60-240 ft ³ /h (1.70-6.796 m ³ /h)	120-360 ft ³ /h (3.40-10.194 m ³ /h)	120-600 ft ³ /h (3.40-16.99 m ³ /h)	360-1800 ft ³ /h (10.194-50.97 m ³ /h)
Component Material	Stainless	Polyethylene or Stainless	Stainless	Stainless	Stainless	Stainless
Food Grade Finish (120 Grit)	√	√	√	√	√	√
Sanitary Grade Finish (150 Grit)	√	√	√	√	√	√
USDA Dairy Grade Finish (180 Grit)	√	√	√	√	√	N/A
Hi/Lo Tilting Base	√	√	√	√	√	N/A
Optional Mobile Base	√	√	√	√	√	√
48-hour Quick Ship	N/A	Stainless and Polyethylene	Stainless	N/A	N/A	N/A

¹ Based on free-flowing granular material. Actual capacity will vary with material characteristics.



Bsic conveyor paths

Combination paths are also possible to ensure your product reaches its destination.



Powder and Bulk the whole system of process.